

TPS62510EVM-168

This User's Guide describes the characteristics, operation, and use of the TPS62510EVM-168 Evaluation Module (EVM). The Texas Instruments TPS62510 is a high efficiency step-down converter for operation from a 1.8V to 3.8V input voltage rail capable of supplying up to 1.5A. This User's Guide includes setup instructions, a schematic diagram, a bill of materials (BOM), and PCB layout drawings for the evaluation module for the TPS62510.

Contents

1	Introduction	1
2	Setup	1
3	Board Layout	6
4	Schematic and Bill of Materials	8
5	Related Documentation From Texas Instruments.....	8

List of Figures

1	HPA168 Efficiency.....	3
2	HPA168 Load Regulation.....	4
3	Output Voltage	4
4	Output Voltage	5
5	Output Ripple Voltage.....	5
6	Output Ripple Voltage.....	6
7	Assembly Layer	6
8	Top Layer Routing.....	7
9	Bottom Layer Routing	7
10	TPS62510EVM-168 Schematic.....	8

List of Tables

1	TPS62510EVM-168 Bill of Materials.....	8
---	--	---

1 Introduction

The Texas Instruments TPS62510EVM-168 evaluation module (EVM) helps designers evaluate the operation and performance of the TPS62510 switching step-down converter. This high efficiency converter is targeted for portable devices where space is critical and is ideally suited for two cell NiMHd or Alkaline applications.

The TPS62510 EVM maximizes output power and efficiency while supplying 1.8V at 1.5A. It is designed to operate with an input voltage between 1.8V–3.8V and has the option to adjust the output voltage by modifying the resistive feedback divider. Refer to the TPS62510 data sheet (SLVS651) for more information.

2 Setup

This chapter describes the jumpers and connectors on the EVM as well as how to properly connect, setup, and use the TPS62510-168.

2.1 Input / Output Connector Descriptions

2.1.1 J1 –VIN

This is the positive input connection to the DC/DC converter. The leads to the input supply should be twisted and kept as short as possible to minimize EMI transmission.

2.1.2 J2 – GND

This is the input return connection for the input power supply.

2.1.3 J3 –VOUT

This is the positive connection from the output of the DC/DC converter. Connect this pin to the positive input of the load.

The default factory output voltage is set at 1.8V. By adjusting the feedback resistors, the output voltage can be adjusted between 0.6V -- 3.8V. Refer to the data sheet (SLVS651) for further details.

2.1.4 J4 – GND

This is the return connection from the output of the DC/DC converter. Connect this pin to the negative input of the load.

2.1.5 J5 –PG

This header is tied to the Power Good (PG) pin of the IC and is used to indicate when the output voltage reaches a certain threshold. The PG pin is an open-drain output and must be tied to an external voltage (< 4V) through a resistor for proper operation. This pin should be left floating if unused. For the EVM, PG is tied to VOUT through a resistor.

2.1.6 JP1 – MODE/SYNC

This jumper toggles the operating mode of the IC between PFM/PWM mode and Forced PWM mode. Connect the shorting jumper to GND for PFM/PWM operation; connect the shorting jumper to VIN for Forced PWM operation. Also, by removing the jumper the MODE/SYNC pin can also be connected to an external clock if it is desired to sync this EVM to a specific frequency. See the data sheet (SLVS651) for further details. This pin should never be left floating.

2.1.7 JP2 – EN

This jumper enables or disables the linear regulator. Connect the shorting jumper from the center EN pin to VIN to turn the converter ON; connect EN to GND to turn the converter OFF. This pin should never be left floating.

2.1.8 JP3 – OVT

This jumper provides access to the Over Voltage Tracking (OVT) functionality of this IC. By modifying resistors R3 and R4 appropriately, this feature can be demonstrated by removing the shorting jumper and connecting an external voltage source directly to OVT. See the data sheet (SLVS651) for additional details on how to do this. The default setting for the EVM does not demonstrate this feature and appropriately ties OVT to VIN through the shorting jumper in normal operation. This pin should never be left floating.

2.2 Operation

The absolute maximum input voltage for the TPS62510 is 4.0V, and it is imperative that this voltage is not exceeded to ensure the IC is not damaged. The EVM is designed to operate with an input voltage between 1.8V–3.8V and an output voltage adjusted between 0.6V–VIN. JP1 determines the mode for the part and the shorting jumper must be tied either to VIN for Forced PWM mode operation or to GND for PFM/PWM mode operation. JP2 is the enable for the switching converter, and the shorting jumper must be tied to VIN to enable the part or GND to disable the part. The EVM is not initially configured for OVT operation, so the shorting jumper must connect OVT to VIN for proper operation.

2.3 Test Results

The test results for this EVM at $T_A = 25^\circ\text{C}$ are shown in [Figure 1](#) and [Figure 2](#).

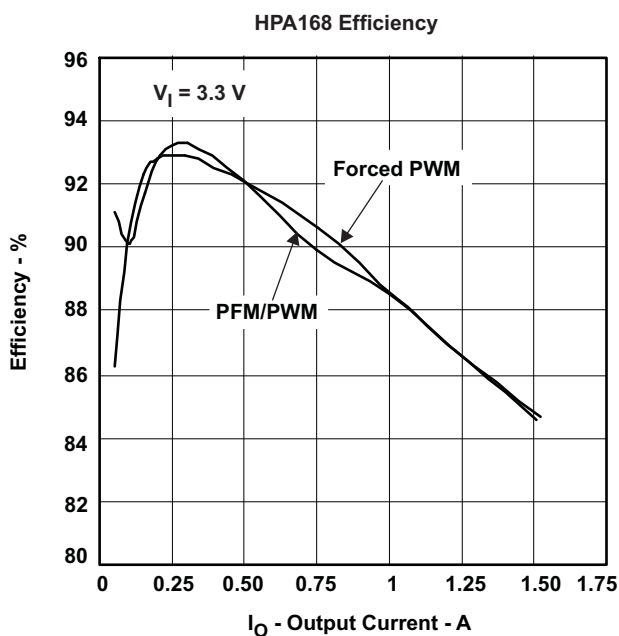


Figure 1. HPA168 Efficiency

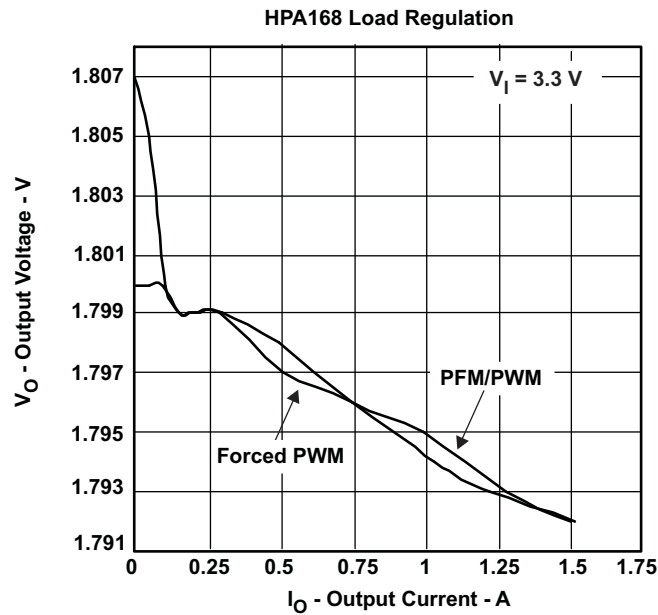


Figure 2. HPA168 Load Regulation

Figure 3 shows the 1.8V output voltage when the load current is pulsed between 1500mA and 150mA. $V_{in} = 3.3V_{dc}$, SYNC = V_{in} . (Blue = Output Voltage = 50mV/DIV, Green = Output Current = 500mA/DIV, 5 μ s/DIV)

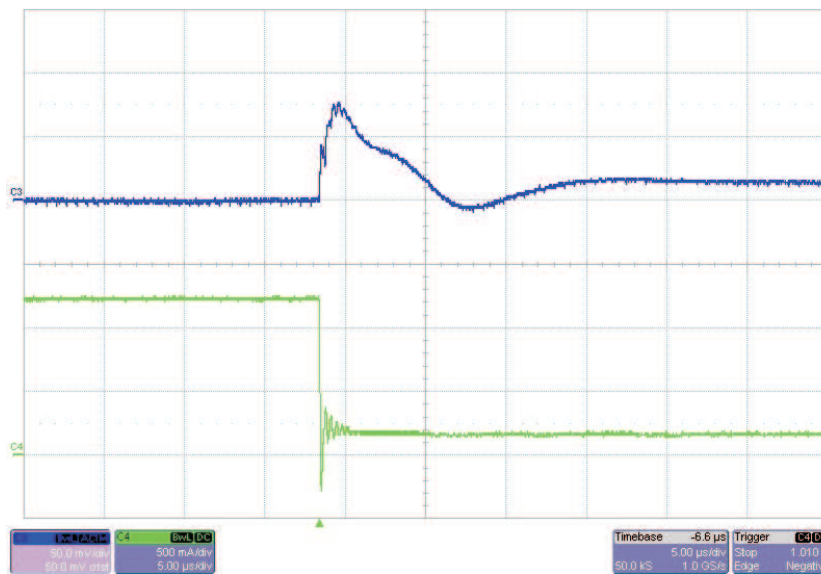


Figure 3. Output Voltage

Figure 4 shows the 1.8V output voltage when the load current is pulsed between 150mA and 1500mA. $V_{in} = 3.3V_{dc}$, SYNC = V_{in} . (Blue = Output Voltage = 50mV/DIV, Green = Output Current = 500mA/DIV, 5 μ s/DIV)

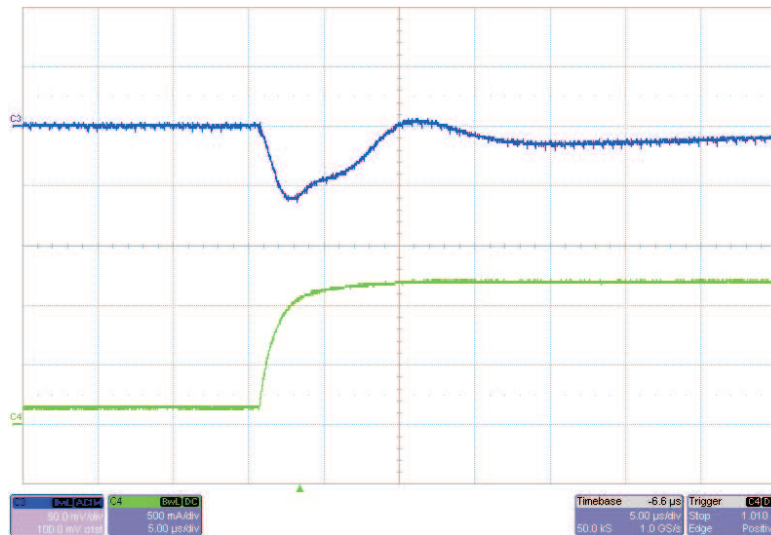


Figure 4. Output Voltage

The 1.8V output ripple voltage in PFM mode is shown in [Figure 5](#). The image was taken with the output loaded to 120mA and the input voltage set to 3.3Vdc. (Yellow = Switchnode = 2V/DIV, Red = Output Ripple Voltage = 10mV/DIV, Green = Inductor Current = 500mA/DIV, 2us/DIV)

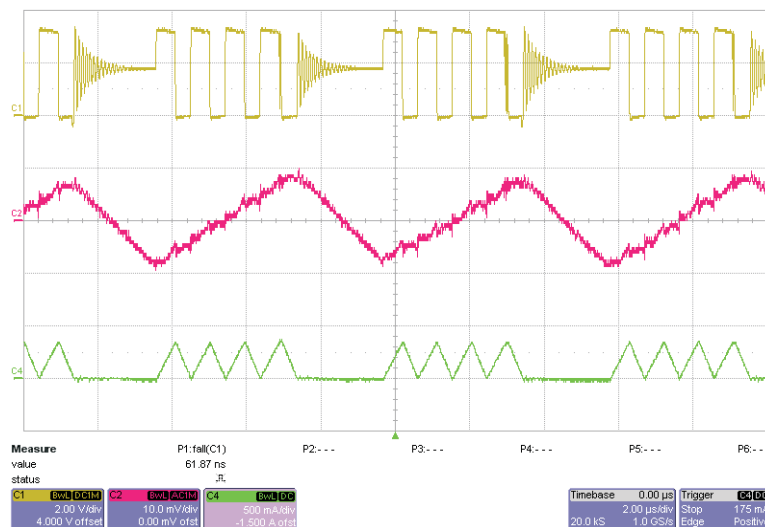


Figure 5. Output Ripple Voltage

The 1.8V output ripple voltage is shown in [Figure 6](#). The image was taken with the output loaded to 1500mA and the input voltage set to 3.3Vdc. (Yellow = Switchnode = 2V/DIV, Blue = Output Ripple Voltage = 10mV/DIV, Green = Inductor Current = 200mA/DIV, 200ns/DIV)

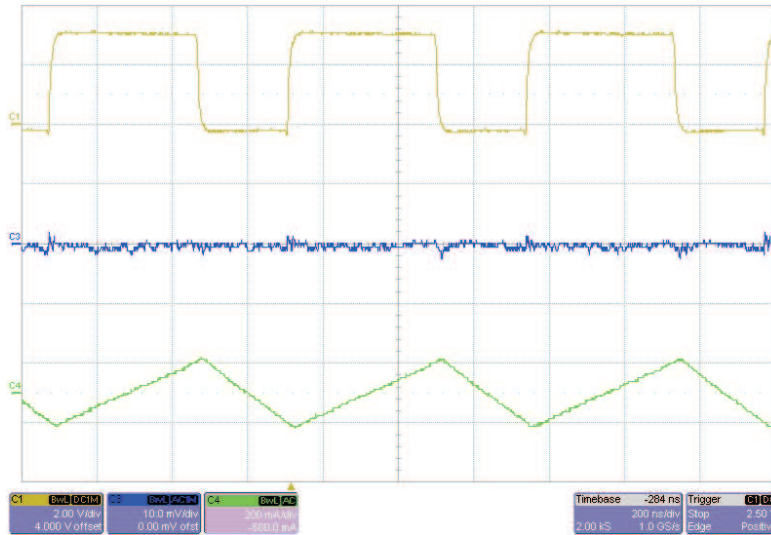


Figure 6. Output Ripple Voltage

3 Board Layout

This chapter provides the TPS62510-168 board layout and illustrations.

3.1 Layout

Figure 7, Figure 8, and Figure 9 show the board layout for the TPS63510-168 PWB.

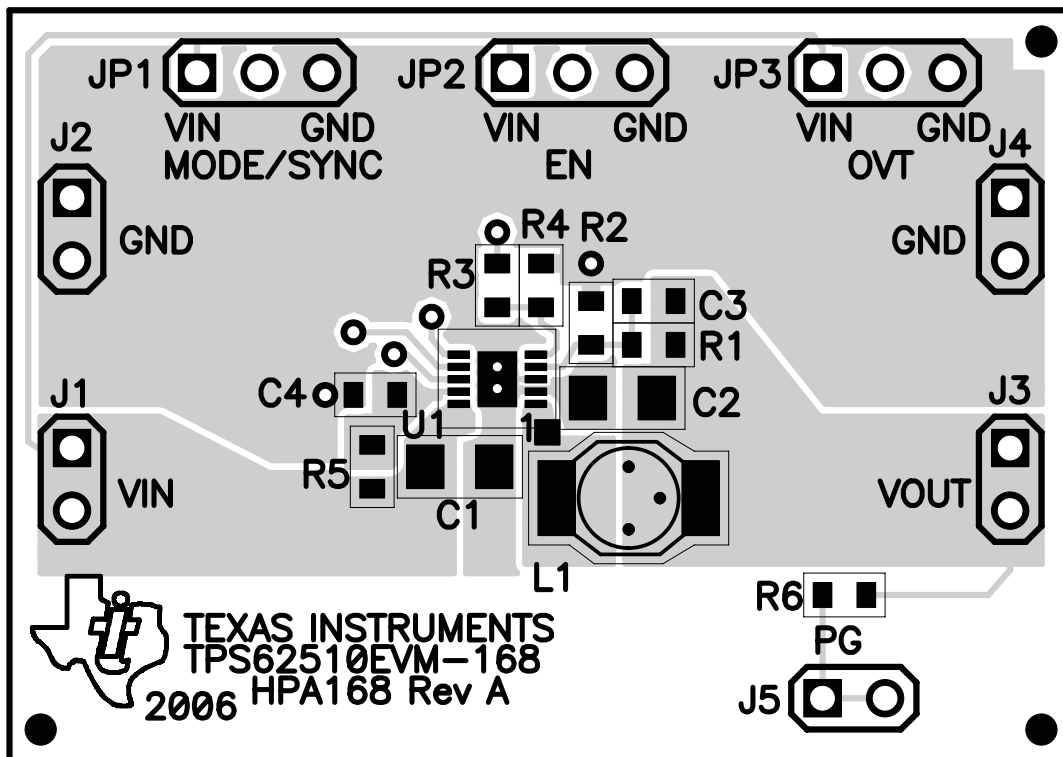


Figure 7. Assembly Layer

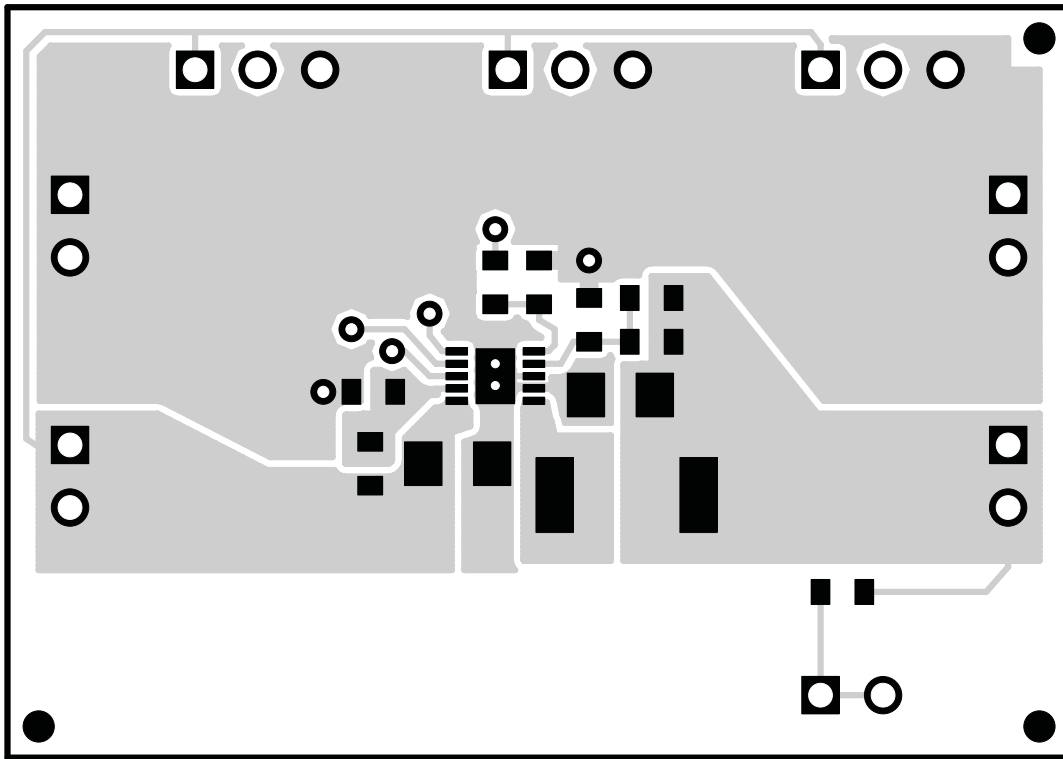


Figure 8. Top Layer Routing

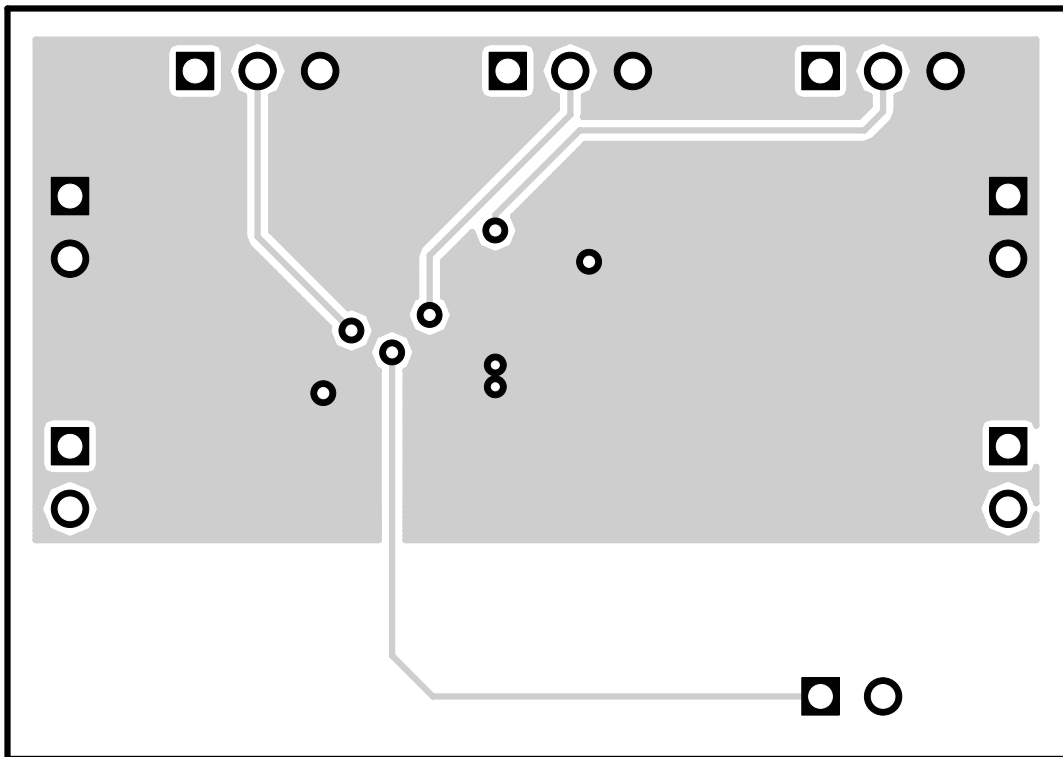


Figure 9. Bottom Layer Routing

4 Schematic and Bill of Materials

This chapter provides the TPS62510EVM-168 schematic and bill of materials.

4.1 Schematic

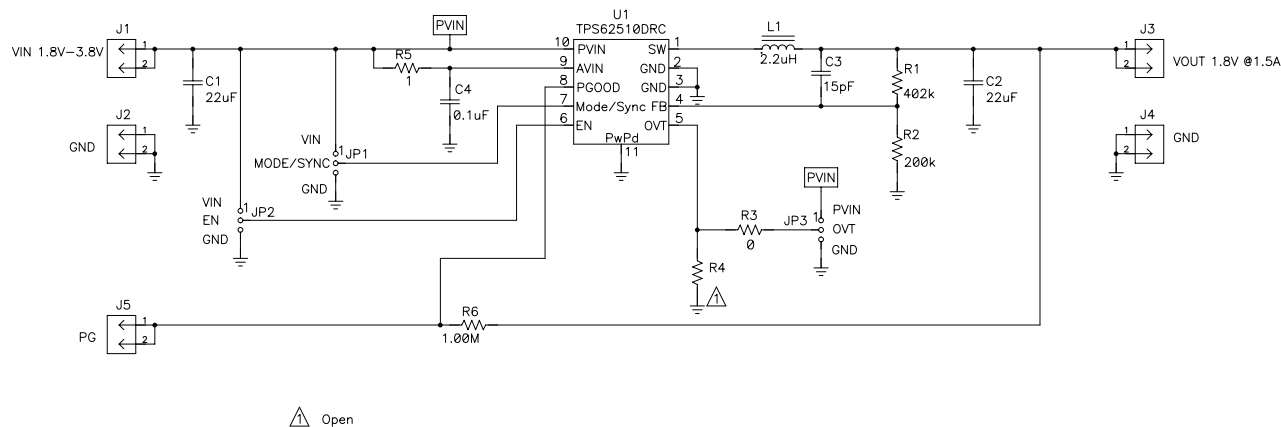


Figure 10. TPS62510EVM-168 Schematic

4.2 Bill of Materials

Table 1. TPS62510EVM-168 Bill of Materials

COUNT	Ref Des	Value	Description	Size	Part Number	MFR
2	C1, C2	22µF	Capacitor, Ceramic, 6.3V, X5R, 15%	1206	C3216X5R0J226K	TDK
1	C3	15pF	Capacitor, Ceramic, 50V, C0G, 5%	0603	C1608C0G1H150JB	TDK
1	C4	0.1µF	Capacitor, Ceramic, 25V, X5R, 10%	0603	C1608X5R1E104KB	TDK
5	J1–J5		Header, 2-pin, 100mil spacing (36-pin strip)	0.100 × 2	PTC36SAAN	Sullins
3	JP1–JP3		Header, 3-pin, 100mil spacing (36-pin strip)	0.100 × 3	PTC36SAAN	Sullins
1	L1	2.2µH	Inductor, SMT, 2.3A, 70mΩ	0.26 × 0.09	DO1608-222MLC	Coilcraft
1	R1	402kΩ	Resistor, Chip, 1/16W, 1%	0603	Std	Std
1	R2	200kΩ	Resistor, Chip, 1/16W, 1%	0603	Std	Std
1	R3	0Ω	Resistor, Chip, 1/16W, 1%	0603	Std	Std
0	R4	Open	Resistor, Chip, 1/16W, 1%	0603		
1	R5	1Ω	Resistor, Chip, 1/16W, 1%	0603	Std	Std
1	R6	1.00M	Resistor, Chip, 1/16W, 1%	0603	Std	Std
1	U1		IC, 1.5A Low Vin high efficiency step-down converter	QFN10	TPS62510DRC	TI
1	–		PCB, 1.7 In x 1.2 In x 0.062 In		HPA168	Any
3	–		Shunt, 100 mil, Black	0.1	929950-00	3M

5 Related Documentation From Texas Instruments

TPS62510 data sheet (SLVS651)

5.1 If You Need Assistance

Contact your local TI sales representative.

EVALUATION BOARD/KIT IMPORTANT NOTICE

Texas Instruments (TI) provides the enclosed product(s) under the following conditions:

This evaluation board/kit is intended for use for **ENGINEERING DEVELOPMENT, DEMONSTRATION, OR EVALUATION PURPOSES ONLY** and is not considered by TI to be a finished end-product fit for general consumer use. Persons handling the product(s) must have electronics training and observe good engineering practice standards. As such, the goods being provided are not intended to be complete in terms of required design-, marketing-, and/or manufacturing-related protective considerations, including product safety and environmental measures typically found in end products that incorporate such semiconductor components or circuit boards. This evaluation board/kit does not fall within the scope of the European Union directives regarding electromagnetic compatibility, restricted substances (RoHS), recycling (WEEE), FCC, CE or UL, and therefore may not meet the technical requirements of these directives or other related directives.

Should this evaluation board/kit not meet the specifications indicated in the User's Guide, the board/kit may be returned within 30 days from the date of delivery for a full refund. **THE FOREGOING WARRANTY IS THE EXCLUSIVE WARRANTY MADE BY SELLER TO BUYER AND IS IN LIEU OF ALL OTHER WARRANTIES, EXPRESSED, IMPLIED, OR STATUTORY, INCLUDING ANY WARRANTY OF MERCHANTABILITY OR FITNESS FOR ANY PARTICULAR PURPOSE.**

The user assumes all responsibility and liability for proper and safe handling of the goods. Further, the user indemnifies TI from all claims arising from the handling or use of the goods. Due to the open construction of the product, it is the user's responsibility to take any and all appropriate precautions with regard to electrostatic discharge.

EXCEPT TO THE EXTENT OF THE INDEMNITY SET FORTH ABOVE, NEITHER PARTY SHALL BE LIABLE TO THE OTHER FOR ANY INDIRECT, SPECIAL, INCIDENTAL, OR CONSEQUENTIAL DAMAGES.

TI currently deals with a variety of customers for products, and therefore our arrangement with the user **is not exclusive**.

TI assumes no liability for applications assistance, customer product design, software performance, or infringement of patents or services described herein.

Please read the User's Guide and, specifically, the Warnings and Restrictions notice in the User's Guide prior to handling the product. This notice contains important safety information about temperatures and voltages. For additional information on TI's environmental and/or safety programs, please contact the TI application engineer or visit www.ti.com/esh.

No license is granted under any patent right or other intellectual property right of TI covering or relating to any machine, process, or combination in which such TI products or services might be or are used.

FCC Warning

This evaluation board/kit is intended for use for **ENGINEERING DEVELOPMENT, DEMONSTRATION, OR EVALUATION PURPOSES ONLY** and is not considered by TI to be a finished end-product fit for general consumer use. It generates, uses, and can radiate radio frequency energy and has not been tested for compliance with the limits of computing devices pursuant to part 15 of FCC rules, which are designed to provide reasonable protection against radio frequency interference. Operation of this equipment in other environments may cause interference with radio communications, in which case the user at his own expense will be required to take whatever measures may be required to correct this interference.

EVM WARNINGS AND RESTRICTIONS

It is important to operate this EVM within the input voltage range of 1.8 V to 3.8 V and the output voltage range of 0.6 V to 3.8 V.

Exceeding the specified input range may cause unexpected operation and/or irreversible damage to the EVM. If there are questions concerning the input range, please contact a TI field representative prior to connecting the input power.

Applying loads outside of the specified output range may result in unintended operation and/or possible permanent damage to the EVM. Please consult the EVM User's Guide prior to connecting any load to the EVM output. If there is uncertainty as to the load specification, please contact a TI field representative.

During normal operation, some circuit components may have case temperatures greater than 50°C. The EVM is designed to operate properly with certain components above 50°C as long as the input and output ranges are maintained. These components include but are not limited to linear regulators, switching transistors, pass transistors, and current sense resistors. These types of devices can be identified using the EVM schematic located in the EVM User's Guide. When placing measurement probes near these devices during operation, please be aware that these devices may be very warm to the touch.

Mailing Address: Texas Instruments, Post Office Box 655303, Dallas, Texas 75265
Copyright © 2006, Texas Instruments Incorporated

IMPORTANT NOTICE

Texas Instruments Incorporated and its subsidiaries (TI) reserve the right to make corrections, modifications, enhancements, improvements, and other changes to its products and services at any time and to discontinue any product or service without notice. Customers should obtain the latest relevant information before placing orders and should verify that such information is current and complete. All products are sold subject to TI's terms and conditions of sale supplied at the time of order acknowledgment.

TI warrants performance of its hardware products to the specifications applicable at the time of sale in accordance with TI's standard warranty. Testing and other quality control techniques are used to the extent TI deems necessary to support this warranty. Except where mandated by government requirements, testing of all parameters of each product is not necessarily performed.

TI assumes no liability for applications assistance or customer product design. Customers are responsible for their products and applications using TI components. To minimize the risks associated with customer products and applications, customers should provide adequate design and operating safeguards.

TI does not warrant or represent that any license, either express or implied, is granted under any TI patent right, copyright, mask work right, or other TI intellectual property right relating to any combination, machine, or process in which TI products or services are used. Information published by TI regarding third-party products or services does not constitute a license from TI to use such products or services or a warranty or endorsement thereof. Use of such information may require a license from a third party under the patents or other intellectual property of the third party, or a license from TI under the patents or other intellectual property of TI.

Reproduction of information in TI data books or data sheets is permissible only if reproduction is without alteration and is accompanied by all associated warranties, conditions, limitations, and notices. Reproduction of this information with alteration is an unfair and deceptive business practice. TI is not responsible or liable for such altered documentation.

Resale of TI products or services with statements different from or beyond the parameters stated by TI for that product or service voids all express and any implied warranties for the associated TI product or service and is an unfair and deceptive business practice. TI is not responsible or liable for any such statements.

TI products are not authorized for use in safety-critical applications (such as life support) where a failure of the TI product would reasonably be expected to cause severe personal injury or death, unless officers of the parties have executed an agreement specifically governing such use. Buyers represent that they have all necessary expertise in the safety and regulatory ramifications of their applications, and acknowledge and agree that they are solely responsible for all legal, regulatory and safety-related requirements concerning their products and any use of TI products in such safety-critical applications, notwithstanding any applications-related information or support that may be provided by TI. Further, Buyers must fully indemnify TI and its representatives against any damages arising out of the use of TI products in such safety-critical applications.

TI products are neither designed nor intended for use in military/aerospace applications or environments unless the TI products are specifically designated by TI as military-grade or "enhanced plastic." Only products designated by TI as military-grade meet military specifications. Buyers acknowledge and agree that any such use of TI products which TI has not designated as military-grade is solely at the Buyer's risk, and that they are solely responsible for compliance with all legal and regulatory requirements in connection with such use.

TI products are neither designed nor intended for use in automotive applications or environments unless the specific TI products are designated by TI as compliant with ISO/TS 16949 requirements. Buyers acknowledge and agree that, if they use any non-designated products in automotive applications, TI will not be responsible for any failure to meet such requirements.

Following are URLs where you can obtain information on other Texas Instruments products and application solutions:

Products		Applications	
Amplifiers	amplifier.ti.com	Audio	www.ti.com/audio
Data Converters	dataconverter.ti.com	Automotive	www.ti.com/automotive
DSP	dsp.ti.com	Broadband	www.ti.com/broadband
Interface	interface.ti.com	Digital Control	www.ti.com/digitalcontrol
Logic	logic.ti.com	Military	www.ti.com/military
Power Mgmt	power.ti.com	Optical Networking	www.ti.com/opticalnetwork
Microcontrollers	microcontroller.ti.com	Security	www.ti.com/security
RFID	www.ti-rfid.com	Telephony	www.ti.com/telephony
Low Power Wireless	www.ti.com/lpw	Video & Imaging	www.ti.com/video
		Wireless	www.ti.com/wireless

Mailing Address: Texas Instruments, Post Office Box 655303, Dallas, Texas 75265
Copyright © 2007, Texas Instruments Incorporated